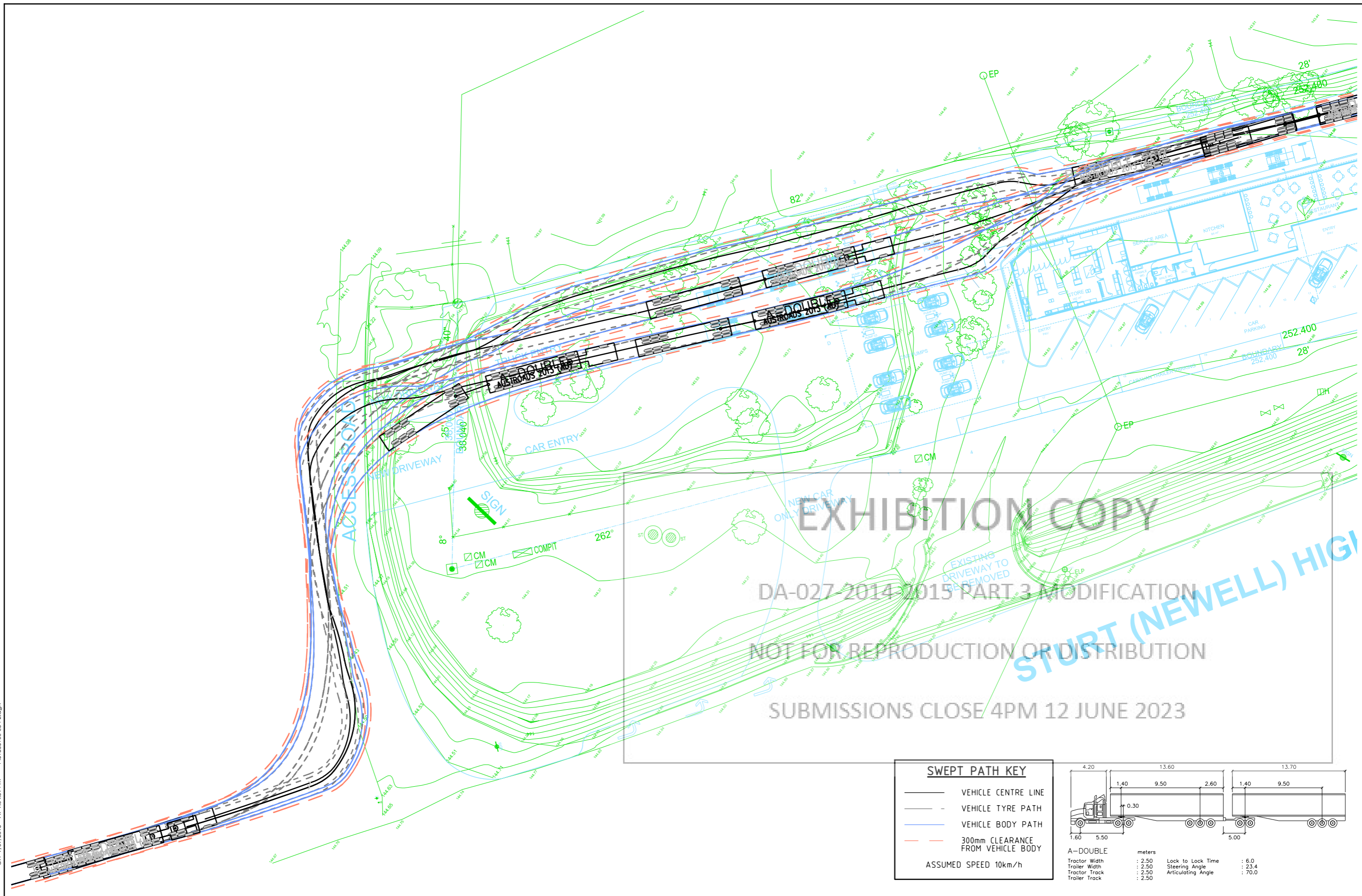


ON: 9/09/2015 AT 11:04:51 PM 14S1586100-03-P2.dgn



EXHIBITION COPY

DA-027-2014-2015 PART 3 MODIFICATION

NOT FOR REPRODUCTION OR DISTRIBUTION

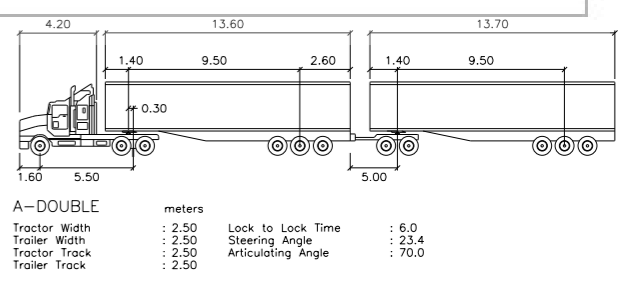
STURT (NEWELL) HIGHWAY

SUBMISSIONS CLOSE 4PM 12 JUNE 2023

SWEPT PATH KEY

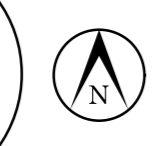
- VEHICLE CENTRE LINE
- - VEHICLE TYRE PATH
- VEHICLE BODY PATH
- - 300mm CLEARANCE FROM VEHICLE BODY

ASSUMED SPEED 10km/h



Plotted by: barry.ji

Melbourne 03 9851 9600
 Sydney 02 8448 1800
 Brisbane 07 3113 5000
 Canberra 02 6263 9400
 Adelaide 08 8334 3600

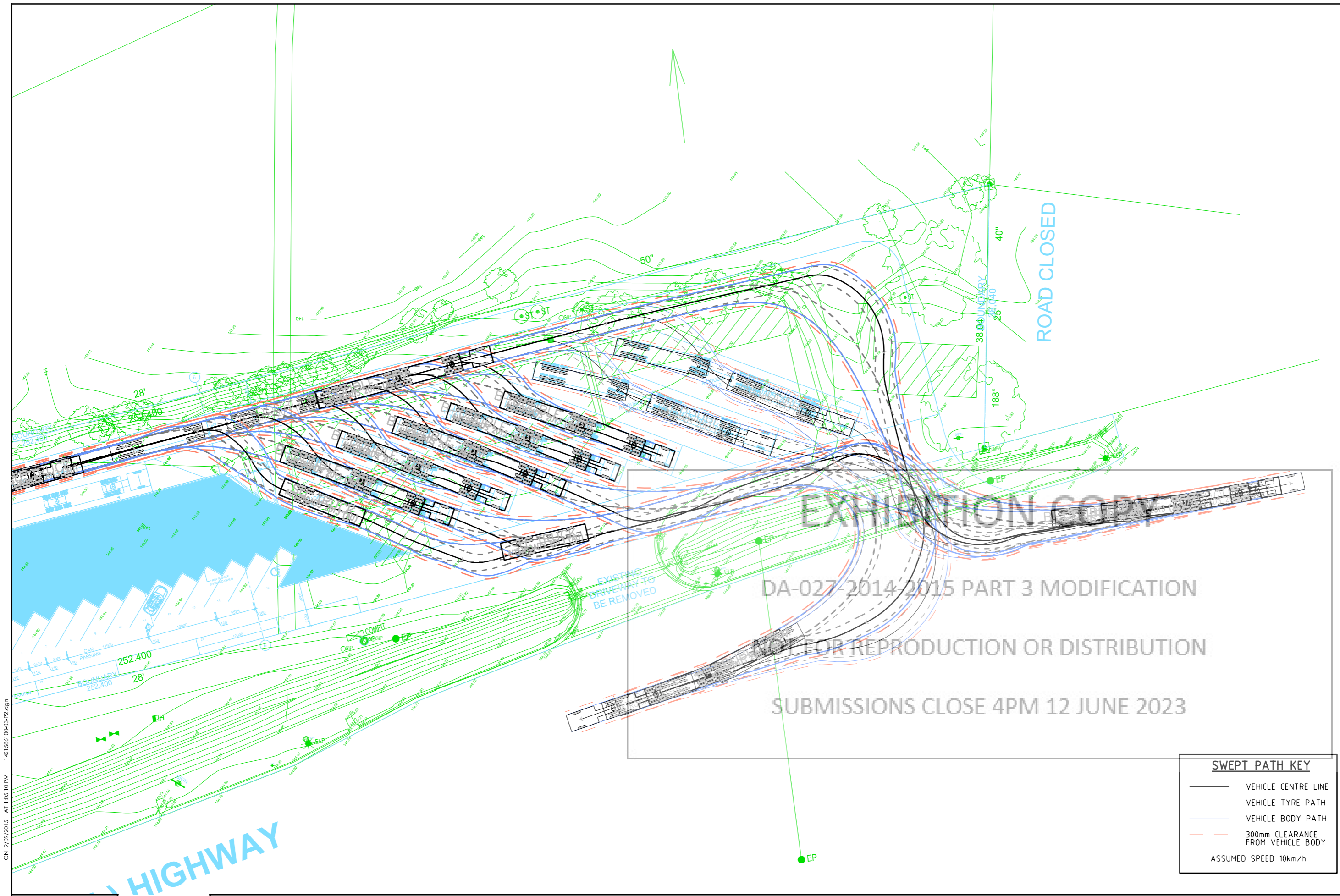


PRELIMINARY PLAN
 FOR DISCUSSION PURPOSES ONLY
 SUBJECT TO CHANGE WITHOUT
 NOTIFICATION

NEWELL HIGHWAY, GILLENBAH -SERVICE STATION
 SWEPT PATH ASSESSMENT
 36.2m A-DOUBLE

DATE: 09.09.2015
 SCALE: 1:500@A3

APPROVED: RMH
 DRAWING NO. 14S1586100-03-01-P2
 SHEET: 01 OF 02



EXHIBITION COPY

DA-027-2014-2015 PART 3 MODIFICATION

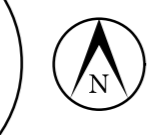
NOT FOR REPRODUCTION OR DISTRIBUTION

SUBMISSIONS CLOSE 4PM 12 JUNE 2023

SWEEP PATH KEY	
	VEHICLE CENTRE LINE
	VEHICLE TYRE PATH
	VEHICLE BODY PATH
	300mm CLEARANCE FROM VEHICLE BODY
ASSUMED SPEED 10km/h	

PLOTTED BY: barry.ji ON: 9/09/2015 AT 1:05:10 PM 14S1586100-03-02-P2.dgn

Melbourne 03 9851 9600
 Sydney 02 8448 1800
 Brisbane 07 3113 5000
 Canberra 02 6263 9400
 Adelaide 08 8334 3600

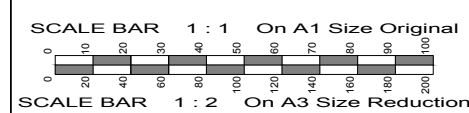
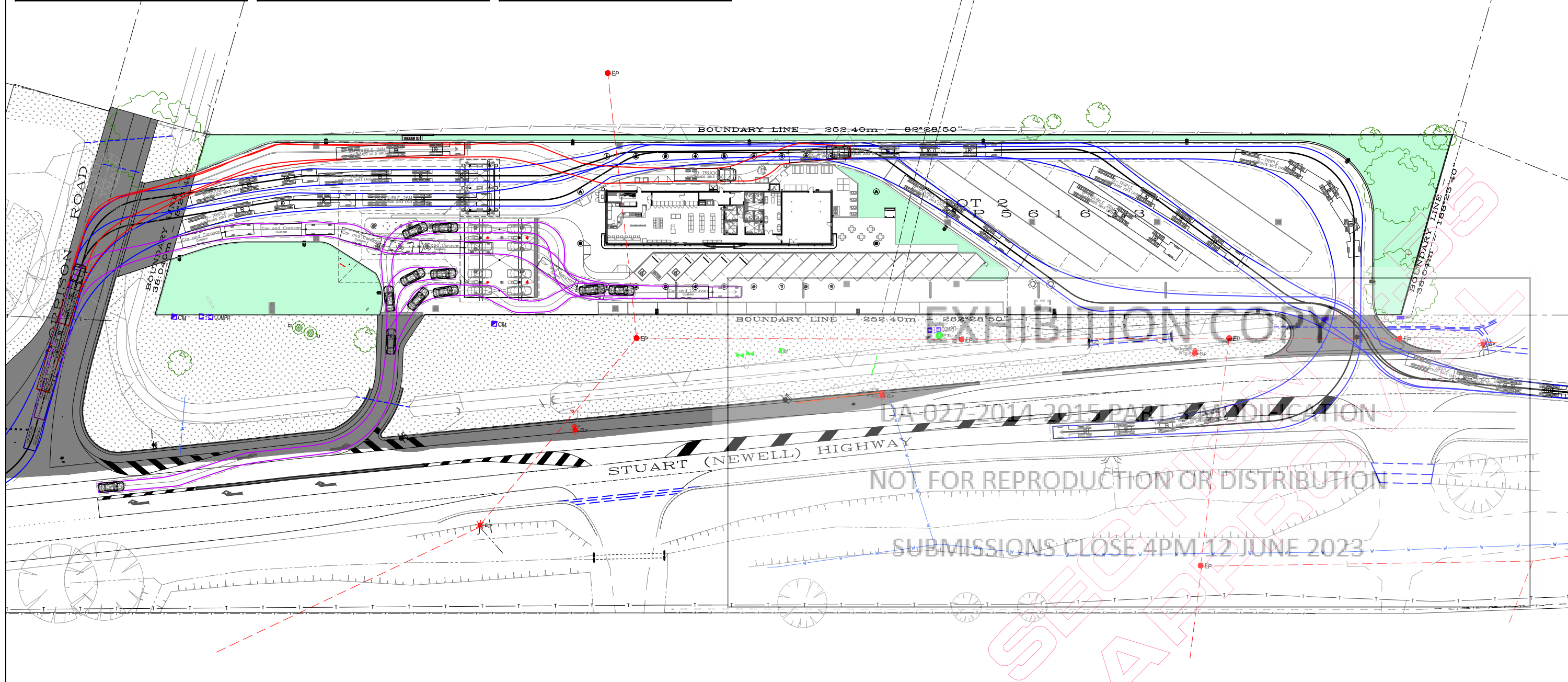
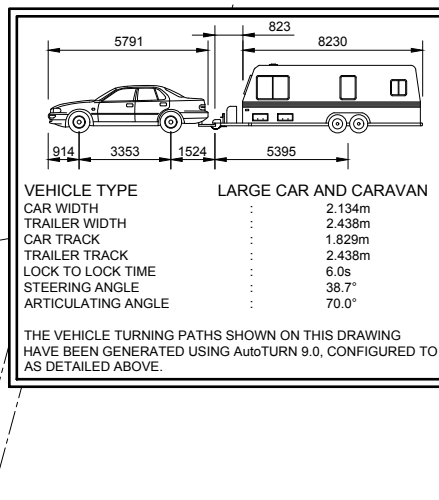
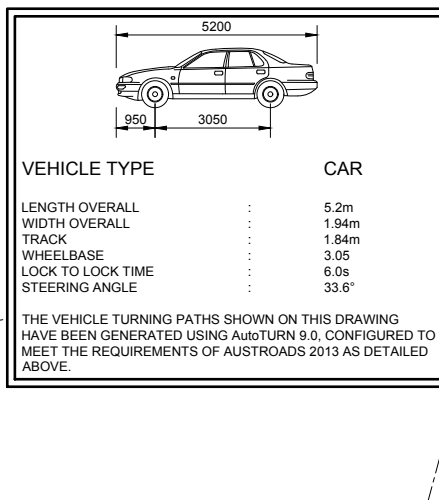
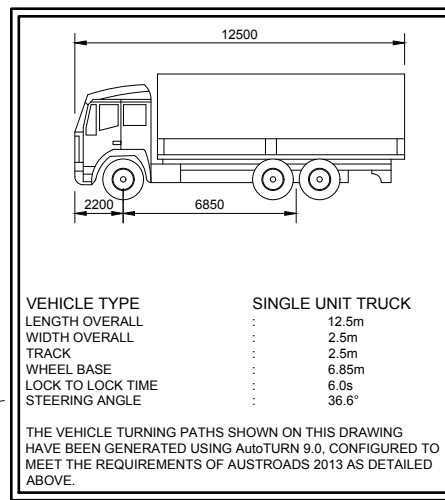
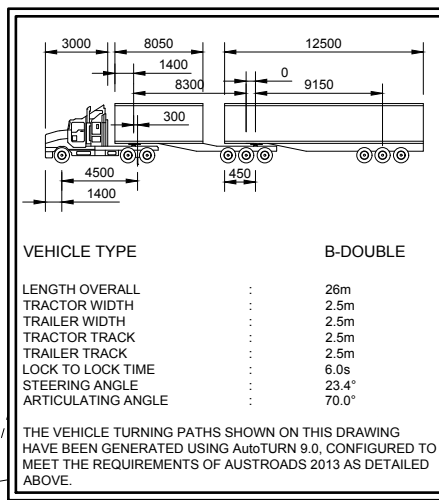
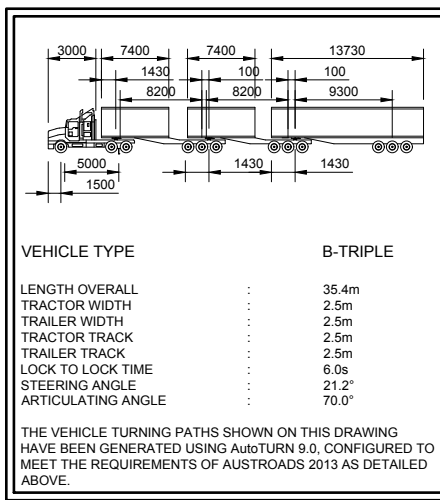


PRELIMINARY PLAN
 FOR DISCUSSION PURPOSES ONLY
 SUBJECT TO CHANGE WITHOUT
 NOTIFICATION

NEWELL HIGHWAY, GILLENBAH -SERVICE STATION
 SWEEP PATH ASSESSMENT
 36.2m A-DOUBLE, 26m B-DOUBLE AND 12.5m HRV

DATE: 09.09.2015
 SCALE: 1:500@A3
 APPROVED: RMH
 DRAWING NO. 14S1586100-03-02-P2

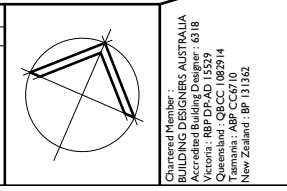
0 5 10 15
 SHEET: 02 OF 02



PROPOSED TURNING STUDY

ISSUED FOR SECTION 4.55 APPROVAL ONLY
NOT FOR CONSTRUCTION

No.	Amendment	By	Date
PI	PRELIMINARY ISSUE FOR DISCUSSION PURPOSES ONLY. NOT FOR CONSTRUCTION.	VP	19.09.2018
PI	HEAVY VEHICLE, SALES BUILDING AND PARKING REVISED	VP	04.12.2018



R.J. SINCLAIR Pty Ltd
Building Design

Office: Suite B111 - Sky City
NorWest Business Park
30 Leongong Drive
BELLA VISTA NSW 2153
Postal: PO Box 503
ROUND CORNER NSW 2158
Phone: 02 8883 0999
E-mail: design@rjsinclair.com.au
Web: www.rjsinclair.com.au
Multi-Discipline Design + Project Management

Project
PROPOSED HIGHWAY SERVICE CENTRE
16305 NEWELL HIGHWAY
GILLENBAH NSW
FOR
GALEN PROPERTY Pty Ltd

Drawing Title
PROPOSED TURNING STUDY

Approved	Designed
Date September 2018	Drawn VP
Scale 1:400 @ A1 & 1:800 @ A3	Checked
Project No. 18 - 041	Drawing No. S4.55 - 09
	Amdt. P2